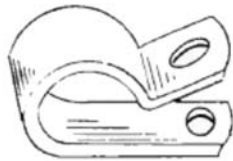
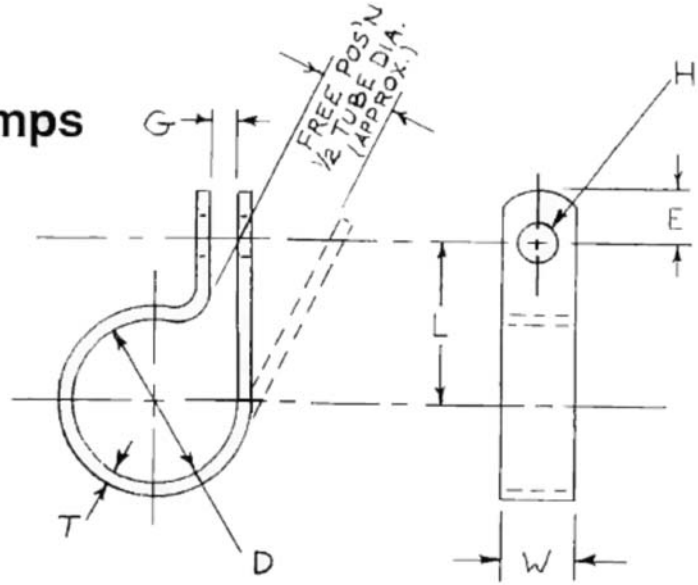


Hose Clamps

Aluminum and Steel Clamps Furnished Open



Aluminum (3003) - Plain
Galvanized Steel - G90



Part Number Steel	Part Number Stainless Steel	Part Number Aluminum	"D" Clamping Diameter	"L" Center to Center	"W" Width	"E" Hole Center to End	"T" Material Thickness Steel	"T" Material Thickness Aluminum	"G" Gap
S-2	SS-2	A-2	1/8"	.310	3/8"	.180	.030	.030	1/32"
S-3	SS-3	A-3	3/16"	.330	3/8"	.210	.030	.030	1/32"
S-4	SS-4	A-4*	1/4"	.360	3/8"	.210	.030	.030	1/32"
S-5	SS-5	A-5*	5/16"	.380	3/8"	.210	.030	.030	1/32"
S-6	SS-6	A-6*	3/8"	.410	3/8"	.210	.030	.030	1/32"
S-7	SS-7	A-7	7/16"	.430	3/8"	.210	.030	.030	1/32"
S-8	SS-8	A-8	1/2"	.470	3/8"	.210	.030	.030	1/32"
S-9	SS-9	A-9	9/16"	.480	3/8"	.210	.030	.030	1/16"
S-10	SS-10	A-10*	5/8"	.500	3/8"	.210	.030	.030	1/16"
S-11	SS-11	A-11	11/16"	.540	3/8"	.210	.030	.030	1/16"
S-12	SS-12	A-12*	3/4"	.720	1/2"	.210	.030	.060	1/16"
S-13	SS-13	A-13	13/16"	.720	1/2"	.210	.030	.060	1/16"
S-14	SS-14	A-14*	7/8"	.770	1/2"	.210	.030	.060	1/16"
S-15	SS-15	A-15	15/16"	.770	1/2"	.210	.030	.060	1/16"
S-16	SS-16	A-16*	1"	.790	1/2"	.210	.030	.060	1/16"
S-17	SS-17	A1-7	1-1/16"	.820	1/2"	.210	.030	.060	1/16"
S-18	SS-18	A-18	1-1/8"	.880	1/2"	.210	.030	.060	1/16"
S-19	SS-19	A-19	1-3/16"	.940	1/2"	.210	.030	.060	3/32"

S-20	SS-20	A-20	1-1/4"	1.05	1/2"	.210	.030	.060	3/32"
S-21	SS-21	A-21	1-5/16"	1.01	1/2"	.210	.030	.060	3/32"
S-22	SS-22	A-22	1-3/8"	1.02	1/2"	.210	.030	.060	3/32"
S-23	SS-23	A-23	1-7/16"	.98	1/2"	.210	.030	.060	3/32"

Hole Diameter Can Be Furnished .173, .199 and .250 Please Indicate Your Preference.

* Available With Plastisol Coating