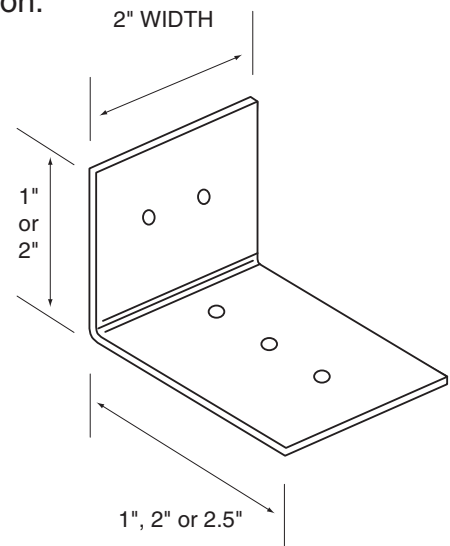


Area Separation Wall Clips

For use with gypsum-based Area Separation Wall Construction.

Clips are used to attach the vertical steel framing to wood framing at each intersection to control fire spread and minimize property damage



Specifications

K&H ASW Clips are produced to meet the highest industry standards and feature:

- 0.050" aluminum alloy
0.063 thickness available on special order
- Heat softenable at @ 1000°F
- For use with H stud nonload-bearing walls
- Available 2" wide with 1" x 2", 1" x 2.5", or 2" x 2.5" 90° legs

When properly applied, ASW Clips provide breakaway features allowing the collapse of fire-side structural framing, and permitting adjacent structures to remain standing.

For quantity pricing, availability or a free quotation contact:



k&h industries, LLC
1041 Evans Street
Cincinnati, Ohio 45204

Phone 513•921•6770
Fax 513•921•6771
In Plant 513•289•5115

