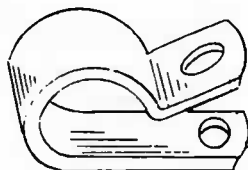
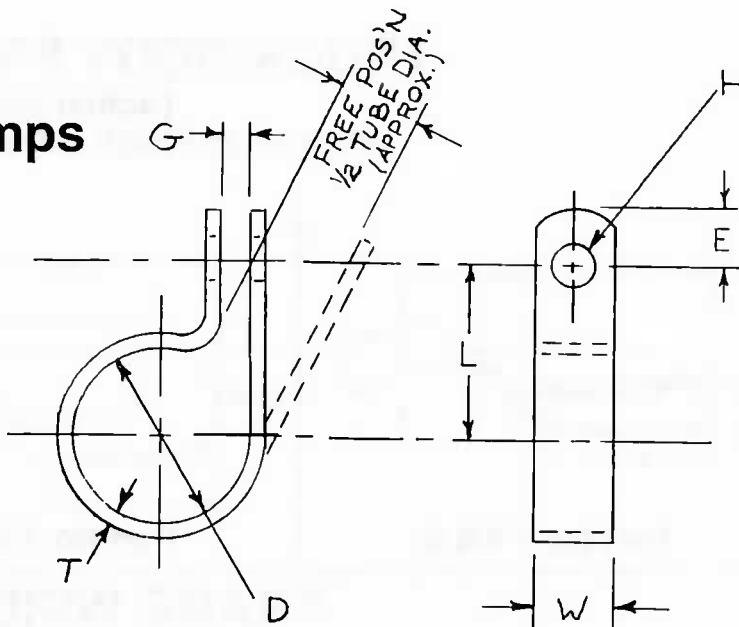


Aluminum and Steel Clamps Furnished Open



Aluminum (3003) - Plain
Galvanized Steel - G90



Hole Diameter Can Be Furnished .173, .199 and .250 Please Indicate Your Preference.

Part Number		"D"	"L"	"W"	"E"	"T"	"T"	"G"
Steel	Aluminum	Clamping Diameter	Center To Center	Width	Hole Center To End	Material Thickness Steel	Material Thickness Aluminum	Gap
FAN-2S	FAN-2A	1/8"	.310	3/8"	.180	.030	.030	1/32"
FAN-3S	FAN-3A	3/16"	.330	3/8"	.210	.030	.030	1/32"
FAN-4S	FAN-4A*	1/4"	.360	3/8"	.210	.030	.030	1/32"
FAN-5S	FAN-5A*	5/16"	.380	3/8"	.210	.030	.030	1/32"
FAN-6S	FAN-6A*	3/8"	.410	3/8"	.210	.030	.030	1/32"
FAN-7S	FAN-7A	7/16"	.430	3/8"	.210	.030	.030	1/32"
FAN-8S	FAN-8A*	1/2"	.470	3/8"	.210	.030	.030	1/32"
FAN-9S	FAN-9A	9/16"	.480	3/8"	.210	.030	.030	1/16"
FAN-10S	FAN-10A*	5/8"	.500	3/8"	.210	.030	.030	1/16"
FAN-11S	FAN-11A	11/16"	.540	3/8"	.210	.030	.030	1/16"
FAN-12S	FAN-12A*	3/4"	.720	1/2"	.210	.030	.060	1/16"
FAN-13S	FAN-13A	13/16"	.720	1/2"	.210	.030	.060	1/16"
FAN-14S	FAN-14A*	7/8"	.770	1/2"	.210	.030	.060	1/16"
FAN-15S	FAN-15A	15/16"	.770	1/2"	.210	.030	.060	1/16"
FAN-16S	FAN-16A*	1"	.790	1/2"	.210	.030	.060	1/16"
FAN-17S	FAN-17A	1-1/16"	.820	1/2"	.210	.030	.060	1/16"
FAN-18S	FAN-18A	1-1/8"	.880	1/2"	.210	.030	.060	1/16"
FAN-19S	FAN-19A	1-3/16"	.940	1/2"	.210	.030	.060	3/32"
FAN-20S	FAN-20A	1-1/4"	1.05	1/2"	.210	.030	.060	3/32"
FAN-21S	FAN-21A	1-5/16"	1.01	1/2"	.210	.030	.060	3/32"
FAN-22S	FAN-22A	1-3/8"	1.02	1/2"	.210	.030	.060	3/32"
FAN-23S	FAN-23A	1-7/16"	.98	1/2"	.210	.030	.060	3/32"

* Available With Plastisol Coating